

### Antelope - INDANA Series



The RJH ANTELOPE ANA Horizontal Platen Belt Grinder is ideal for finishing or deburring flat components in a wide range of materials. The Antelope ANA complies with the European Machinery Directive. All RJH industrial machines carry a 12 month warranty and are supplied with an operating manual.

#### KEY FEATURES

- Dust extraction mounted
- Platen adjustable from horizontal to vertical position
- External tracking system
- Belt tensioning via external screw adjustment
- Supplied with one grinding belt

#### SAFETY FEATURES

- Emergency stop
- Adjustable belt guards
- Mechanical guard lock
- Dust extractor features:
  - ◇ 0.55kw motor
  - ◇ Tray collector for easier and cleaner waste handling
  - ◇ High quality polyester needlefelt filter

#### OPTIONAL REFINEMENTS

- Flexible LED Floodlight\*
- Twin speed motor\*
- Variable speed motor\*
- Standard foot stop\*

\* Please note that these items are factory fitted at the point of manufacture



Extraction Mounted Antelope INDANA



Optional Light

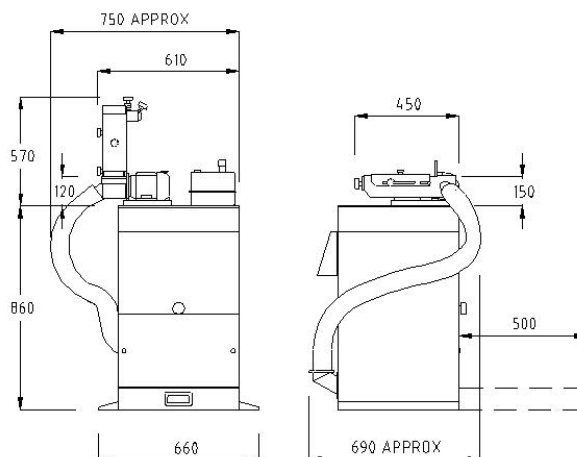


Optional Standard Foot Stop

### Specification:

| 3-phase                         | INDANA22/CBM                         |
|---------------------------------|--------------------------------------|
| 1-phase                         | INDANA22S/CBM                        |
| Motor                           | 3 phase = 1.1kw,<br>1 phase = 0.75kw |
| Motor Speed                     | 2800rpm                              |
| Electrical Supply               | 230V/1ph/50Hz or<br>400V/3ph/50Hz    |
| Belt Size, width x length       | 100 x 1000mm                         |
| Max Platen Size, width x length | 100 x 270mm                          |
| Belt Speed                      | 15m/sec                              |
| Weight                          | 85kg                                 |

### Dimensions:



Platen Belt Grinders