

### Bison - BN Series



The **RJH BISON Double-Ended Grinder** is a robust machine that is suitable for continuous production. The double-ended design allows wheels of different grits or materials to be mounted on each end, permitting two operations to be performed sequentially on the same component without having to change wheels or move to another machine. The Bison complies with the European Machinery Directive. All RJH industrial machines carry a 12 month warranty and are supplied with an operating manual.

#### KEY FEATURES

- Range of motor and wheel sizes available
- Cast iron pedestal to minimise vibration
- Vee-belt continuously rated motor
- Ample work clearance, even when wheels are fully worn
- Adjustable, non-tip cast-iron work rests
- Sealed for life ball bearing mounted spindles
- Supplied with two grinding wheels, one coarse and one medium

#### SAFETY FEATURES

- Spark arrestors
- Heavy duty adjustable polycarbonate eye shields
- S.G. Cast iron wheel guards for maximum safety
- No-volt overload push-button controls
- Dust extraction spigots - 75mm outside diameter

#### OPTIONAL REFINEMENTS

- Standard or heavy duty foot stop\*
- Alternative electrics\*
- Flexible LED Floodlight\*
- Lockable triple pole isolator
- Water pots and wet troughs\*
- Wheel dresser
- Dust extraction to enable compliance with UK COSHH regulations\*

\* Please note that these items are factory fitted at the point of manufacture



Bison BN



Guarding



Optional Standard Foot Stop



Electric Controls



Optional Light



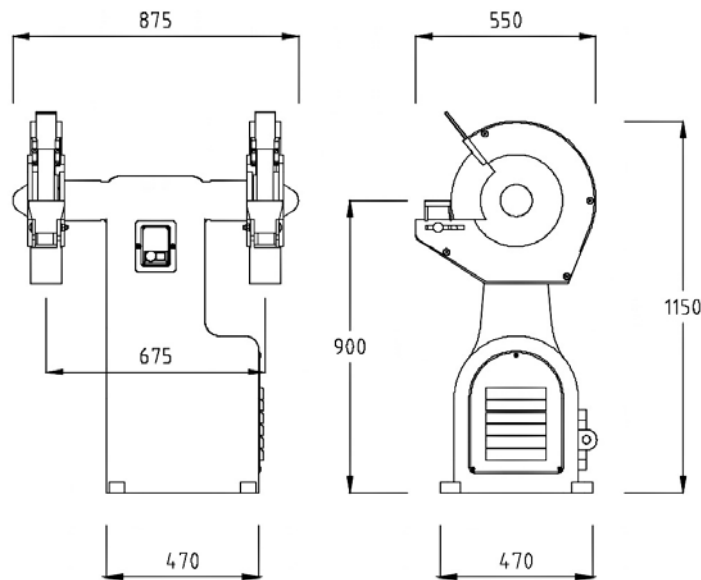
Work Rest

### Bison - BN Series - continued..

#### Specification:

3-Phase	BN1	BN2	BN3	BN5
1-Phase	BN1S	BN2S	-	-
Motor	3 phase = 0.75kw, 1 phase = 0.55kw	1.5kw	2.2kw	4.0kw
Motor Speed	2880rpm	1440rpm	1440rpm	1440rpm
Electrical Supply	400V/3ph/50Hz or 230V/1ph/50Hz		400V/3ph/50Hz	
Wheel Size, dia x width	250 x 25mm	300 x 40mm	350 x 50mm	400 x 50mm
Spindle Diameter	20mm	35mm	35mm	35mm
HD Bolt Centres	280 x 340mm	406 x 420mm	406 x 420mm	406 x 420mm
Weight	120kg	225kg	250kg	300kg

#### Dimensions:



Dimensions, mm	Width	Depth	Height	Working Height
BN1	445	406	1050	900
BN2	600	470	1150	900
BN3	635	510	1150	900
BN5	875	550	1150	900